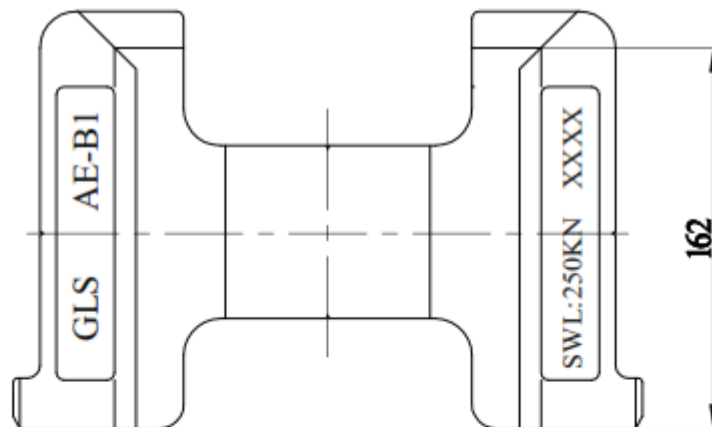
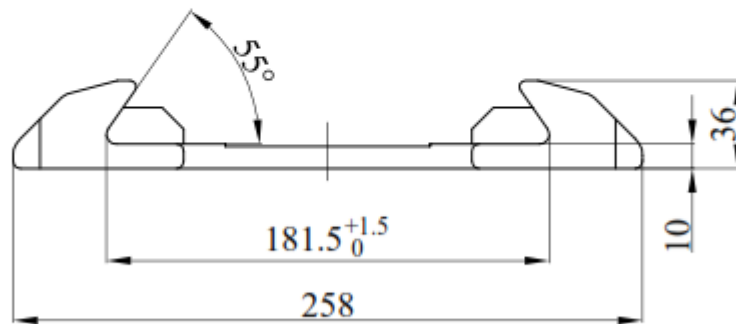


AE-B1

**Material:** Casting steel**Finish:** Shop primer**Weight:** 4.2kg**M.B.L:** Tension: 500KN**M.B.L:** Shear: 420KN**M.B.L:** Compression: -