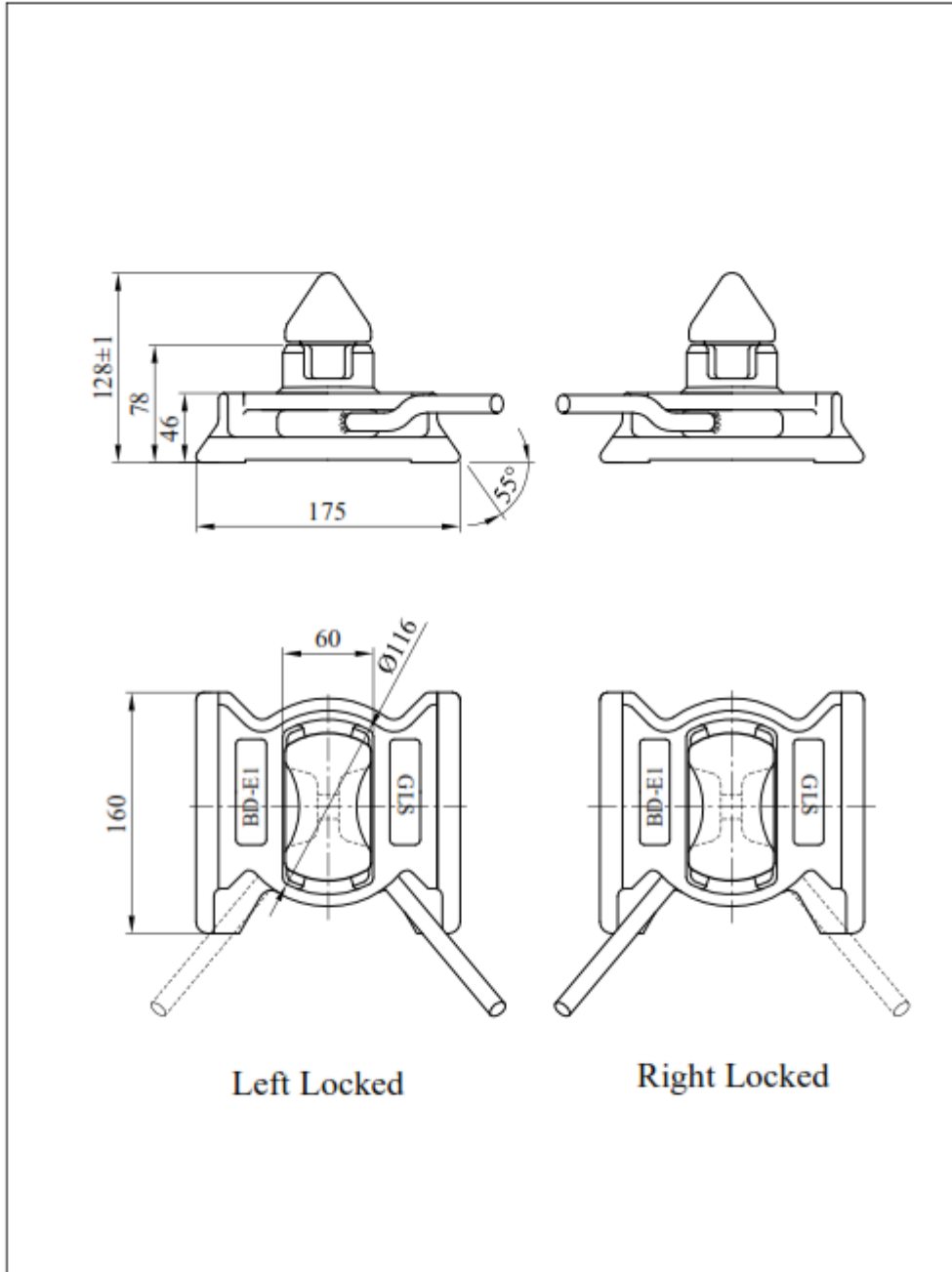


BOTTOM TWISTLOCKS



Material: Heat treatable steel
Finish: Hot dip galvanised
Weight: 6.4kg

M.B.L: Tension: 500KN
M.B.L: Shear: 420KN
M.B.L: Compression: 2000KN