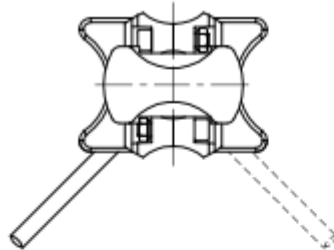
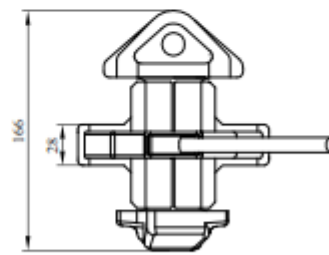
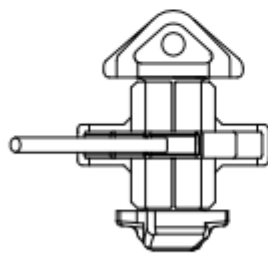
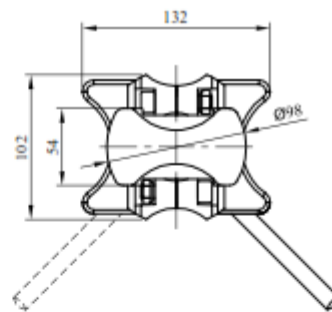


TWISTLOCKS

BD-A2/L
BD-A2/R



Left Locked



Right Locked



Material: Forged steel
Finish: Hot dip galvanised
Weight: 4.5kg

M.B.L:Tension: 500KN
M.B.L:Shear: 420KN
M.B.L:Compression:2000KN